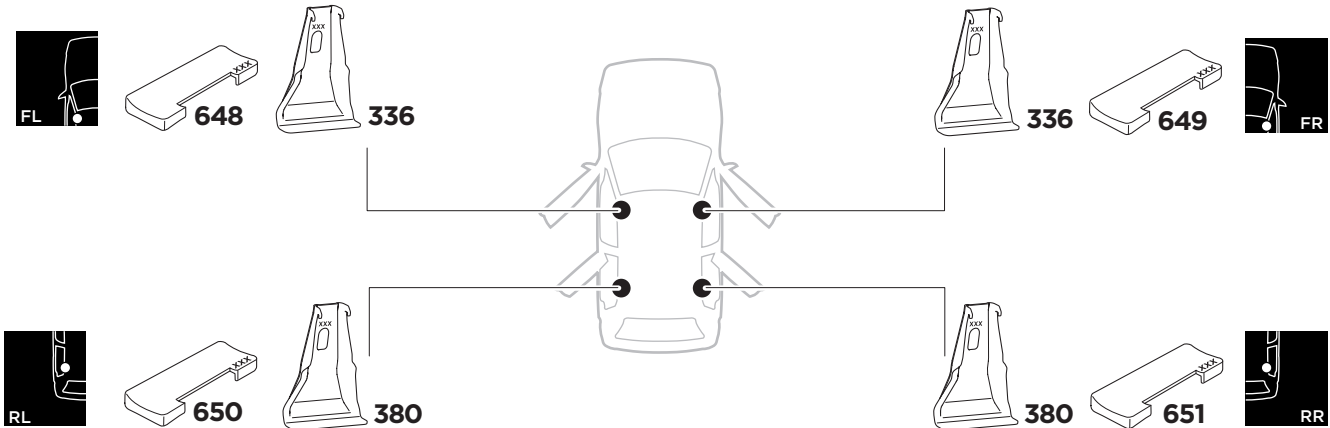
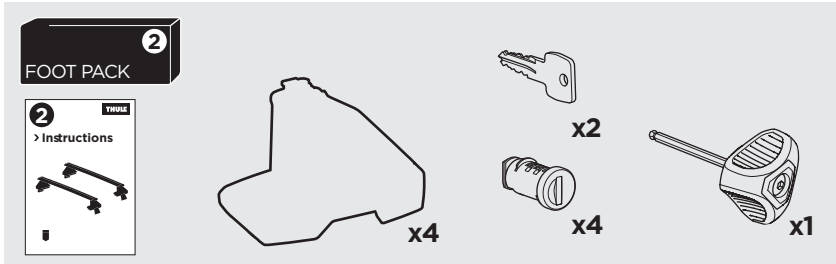
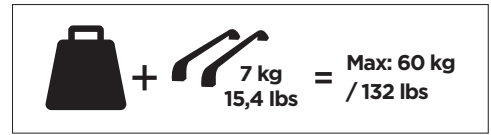
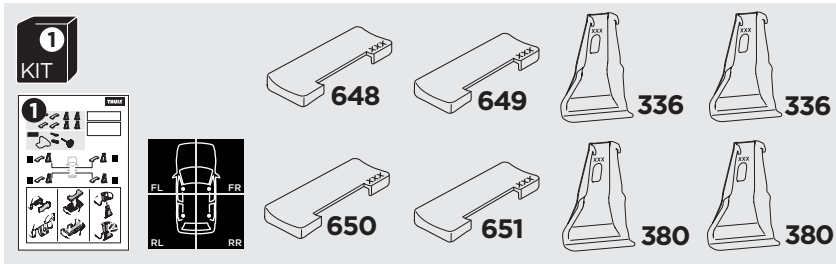


1

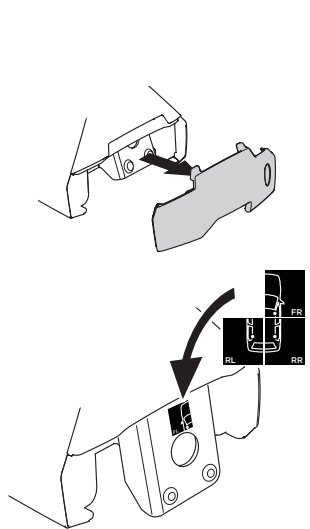
Kit 5172

PEUGEOT 208, 5-dr Hatchback, 12-

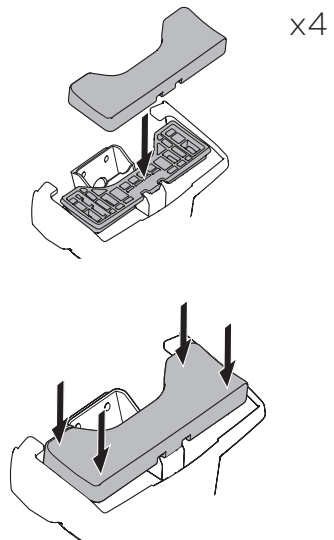
ISO 11154-E



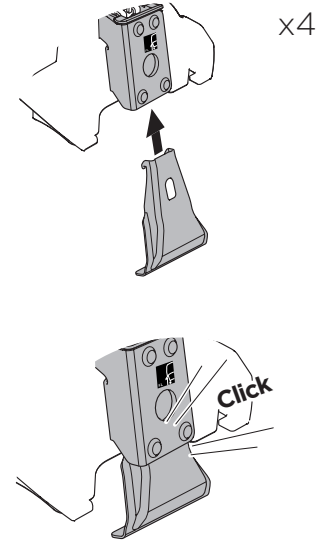
1 **1 KIT** + **2 FOOT PACK**



2



3





THULE WingBar Evo	THULE WingBar Edge	THULE WingBar	THULE SquareBar	Evo X (scale)	Edge X (scale)
PEUGEOT 208, 5-dr Hatchback, 12-				26	J

THULE ProBar	THULE SlideBar	X (mm/inch)		
PEUGEOT 208, 5-dr Hatchback, 12-		910 mm / 35 7/8"		



THULE WingBar Evo	THULE WingBar Edge	THULE WingBar	THULE SquareBar	Evo Y (scale)	Edge Y (scale)
PEUGEOT 208, 5-dr Hatchback, 12-				29,5	C

THULE ProBar	THULE SlideBar	Y (mm/inch)		
PEUGEOT 208, 5-dr Hatchback, 12-		944 mm / 37 1/8"		

	W (mm/inch)	Z (mm/inch)
PEUGEOT 208, 5-dr Hatchback, 12-	716 mm / 28 1/4"	254 mm / 10"

