

# 1

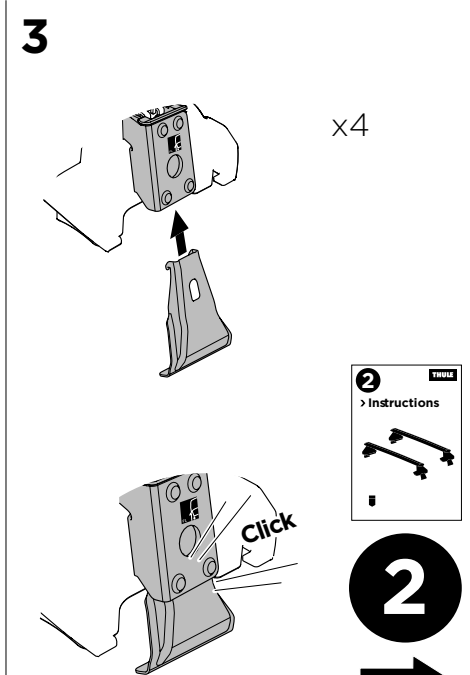
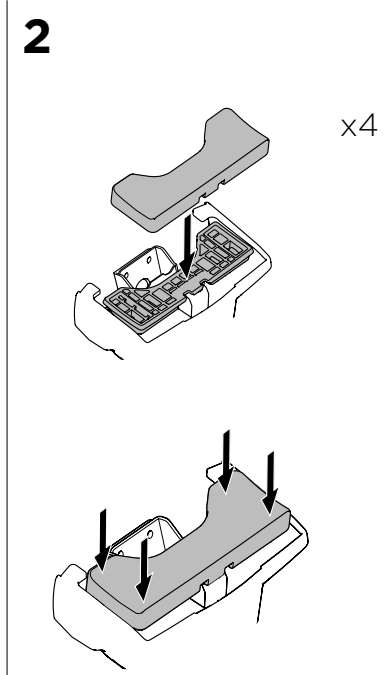
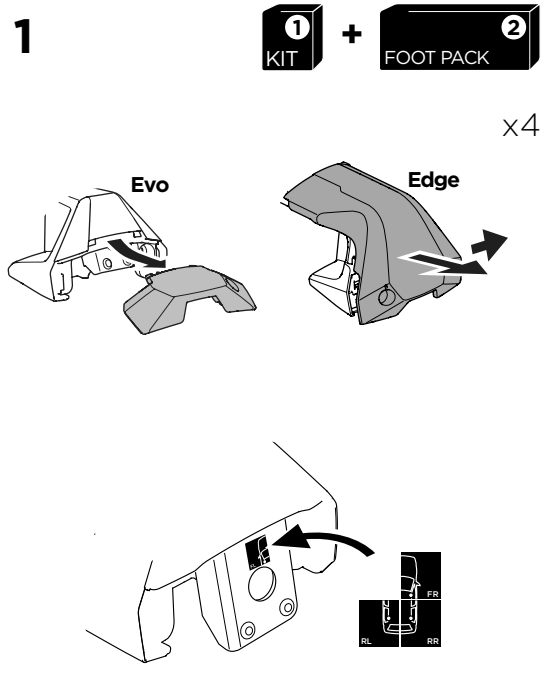
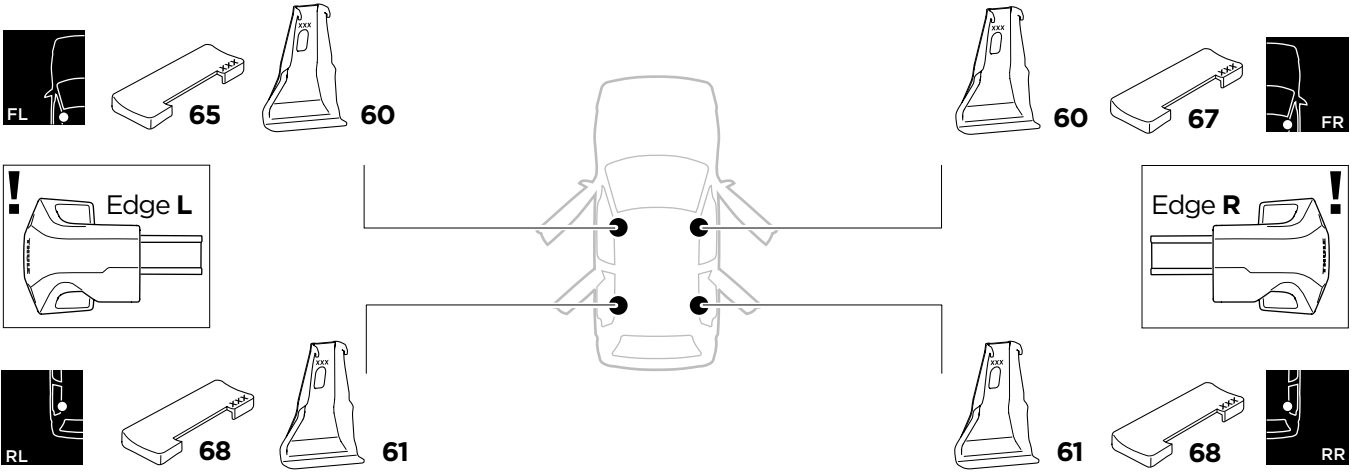
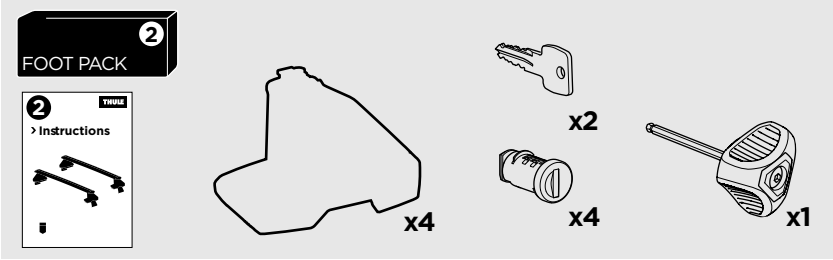
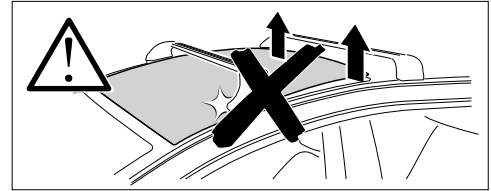
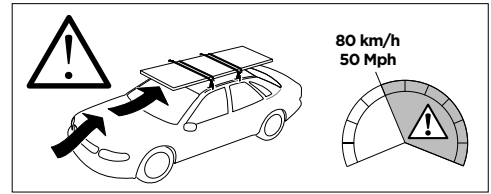
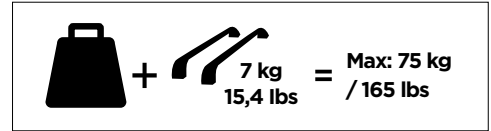
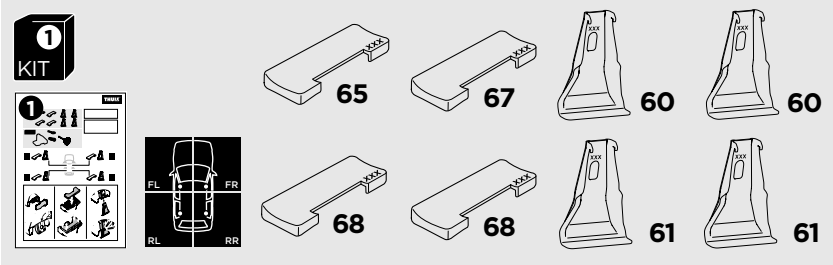
## Kit 145012

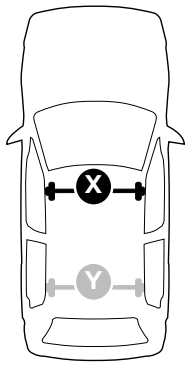
LAND ROVER Range Rover Evoque, 5-dr SUV, 11-18 / \*12-18

\*North America

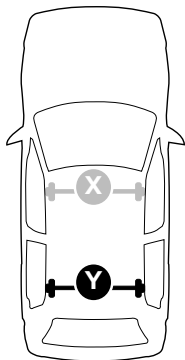


ISO 11154-E





|  |                    |               |                 |                          |                       |
|--|--------------------|---------------|-----------------|--------------------------|-----------------------|
| THULE WingBar Evo  | THULE WingBar Edge | THULE WingBar | THULE SquareBar | <b>Evo X (scale)</b>     | <b>Edge X (scale)</b> |
| <b>LAND ROVER Range Rover Evoque, 5-dr SUV, 11-18 / *12-18</b> |                    |               |                 | <b>48,5</b>              | <b>R</b>              |
| THULE ProBar   | THULE SlideBar     |               |                 |                          | <b>X (mm/inch)</b>    |
| <b>LAND ROVER Range Rover Evoque, 5-dr SUV, 11-18 / *12-18</b> |                    |               |                 | <b>1136 mm / 44 3/4"</b> |                       |



|  |                    |               |                 |                         |                       |
|--|--------------------|---------------|-----------------|-------------------------|-----------------------|
| THULE WingBar Evo  | THULE WingBar Edge | THULE WingBar | THULE SquareBar | <b>Evo Y (scale)</b>    | <b>Edge Y (scale)</b> |
| <b>LAND ROVER Range Rover Evoque, 5-dr SUV, 11-18 / *12-18</b> |                    |               |                 | <b>47</b>               | <b>C</b>              |
| THULE ProBar   | THULE SlideBar     |               |                 |                         | <b>Y (mm/inch)</b>    |
| <b>LAND ROVER Range Rover Evoque, 5-dr SUV, 11-18 / *12-18</b> |                    |               |                 | <b>1121 mm / 4 1/8"</b> |                       |

|  |                         |                         |
|--|-------------------------|-------------------------|
|  | <b>W (mm/inch)</b>      | <b>Z (mm/inch)</b>      |
| <b>LAND ROVER Range Rover Evoque, 5-dr SUV, 11-18 / *12-18</b> | <b>720 mm / 28 3/4"</b> | <b>260 mm / 10 1/4"</b> |

